



Imaging

Identification

Document No: 1085749      Validation Date: 31 July 2017

Identification

Mineral Type: Natural Corundum

Variety: Ruby      Color Description: Red

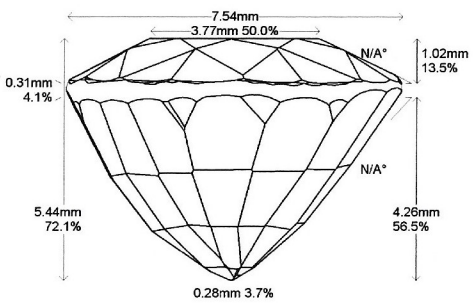
Carat Weight: 4.01 cts      Shape: Oval

Measurements: 10.97 x 7.54 x 5.44 mm      Cutting Style: Mixed Cut

Comments:

Images do not accurately portray size or color.

Accu-Vu™ Imaging:

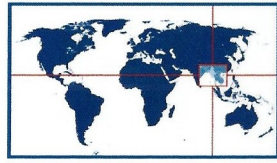


Comments:

Origin

Provenance: Burma (Myanmar)

Comments: Based on available gemological information, it is the opinion of the Laboratory that the origin of this material would be classified as Burma (Myanmar - Mong Hsu).



Origin

Enhancement

Standard: Heat      Additional: Clarity

Stability Index: Color Stability: Excellent      Degree: Minor to Moderate

Type: Heating Residues and In-filling

Stability Index: Very Good

Comments: Rubies are commonly heated to modify their color and appearance. Heating residues are deposited along healed fissures during the heating process. The in-filling of cavities to reduce their appearance involves the introduction of a vitreous material.

Enhancement

1	2	3	4	5	6	7	8	9	10
Excellent	Very Good	Good	Fair	Poor					

Enhancement Stability Index™

None	Insignificant	Minor	Moderate	Strong	Prominent
Extremely Rare	Very Rare	Rare	Uncommon	Common	Very Common

Degree of Clarity Enhancement & Relative Rarity™

General Report Comments:

Christopher P. Smith, President

